

# CAB492CS, CAB482CS

## Intelligent addressable ceiling visual alarm device (VAD)



An EN 54-23 certified, low-current and attractive visual alarm device that provides clear notification in the event of fire.

The addressable visual alarm device (VAD) is suitable for ceiling mounting and a variety of applications. It is compatible with a shallow base.

The VAD has a unique lens design that distributes light in a cylindrical shape to achieve the required illumination specified by the latest standards, whilst using minimum current consumption.

### Features and benefits

- Compliant to the latest standards (EN 54-23)
- Ultra-low current consumption
- Coverage switch - 7.5 m to 2.5 m
- Flash rate switch from 1 Hz to 0.5 Hz reduces power consumption by up to 50%
- Attractive, discrete design suitable for public places
- Variety of bases provides flexibility as to where the VAD can be installed
- Available in white (CAB492CS) and red (CAB482CS) flash

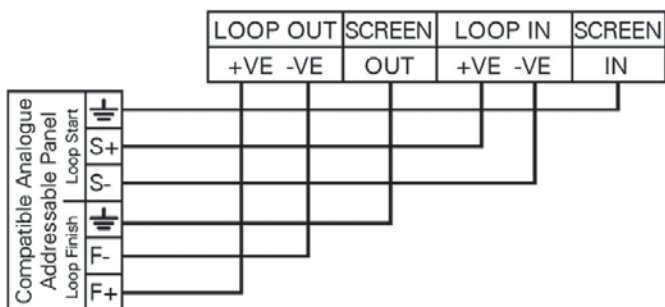


*Powering Business Worldwide*

## Technical specification

Code	CAB492CS, CAB482CS
Mounting	Ceiling
Voltage	19–30 V
Current: stand-by	<330 $\mu$ A
Current: operating	12.5–45 mA (depending on setting and LED colour)
Mounting height (x)	3.0 m
Coverage (y)	7.5 m (switchable 2.5 m)
Coverage volume code (c-x-y)	C-3.0-7.5
Flash rate	0.5 Hz (Switchable to 1 Hz)
Flash colour	Red or white LED
Operating temperature	Type A = -10°C – 55°C
IP protection	Shallow base: IP21C

## Standard connections

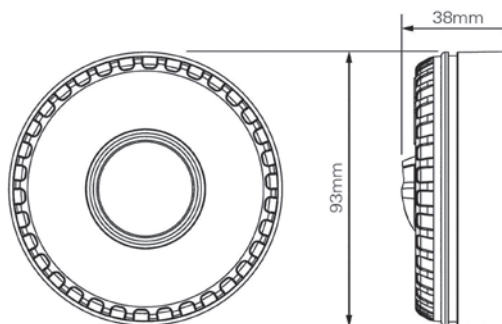


### Warning:

Do NOT use high voltage testers if ANY equipment is connected to the system.

Earth screen must be continuous along entire length of the loop.

## Dimensions



Description	H (mm)	W (mm)	D (mm)
Ceiling VAD	93	93	38

## Catalogue numbers

Code	Reference	Description
CAB492CS	SOL-LX-C/WF/R1/S VAD EATON CAB492CS	Ceiling VAD, red, white flash, shallow base
CAB482CS	SOL-LX-C/RF/R1/S VAD EATON CAB482CS	Ceiling VAD, red, red flash, shallow base

### Note:

All information correct at the time of writing. Eaton reserve the right to make changes to this information. Please contact Eaton if you have any queries.

**Eaton**  
 EMEA Headquarters  
 Route de la Longeraie 7  
 1110 Morges, Switzerland  
 Eaton.com

© 2023 Eaton  
 All Rights Reserved  
 Publication No. DS0054-A  
 March 2023